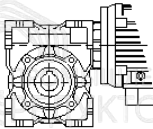
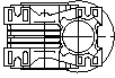
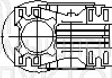
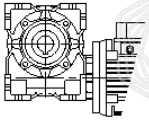
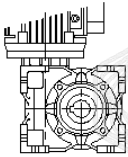
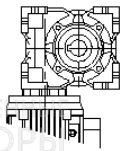
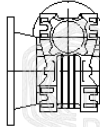
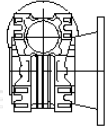

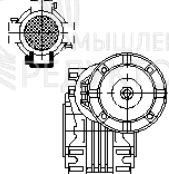
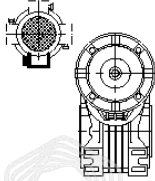
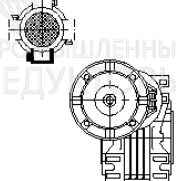


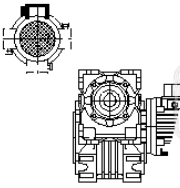
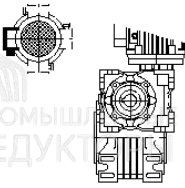
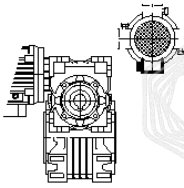
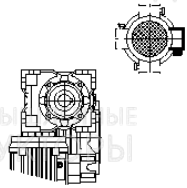
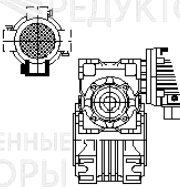
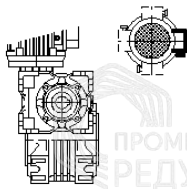
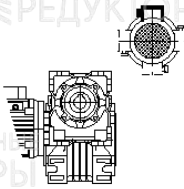
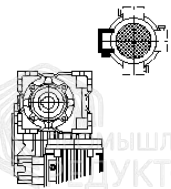
Gear boxes Series RS and RT

RT

Mounting positions

RT TA RT/RT Output	 <p>B3 (std)</p>	 <p>B6</p>	 <p>B7</p>	 <p>B8</p>
	 <p>V5</p>	 <p>V6</p>	 <p>F (std)</p>	 <p>Fi</p>

TA Input	 <p>10 (std)</p>	 <p>11</p>	 <p>12</p>	 <p>13</p>
--------------------	--	--	---	--

RT/RT Input	 <p>20 (std)</p>	 <p>21</p>	 <p>22</p>	 <p>23</p>
	 <p>24</p>	 <p>25</p>	 <p>26</p>	 <p>27</p>